

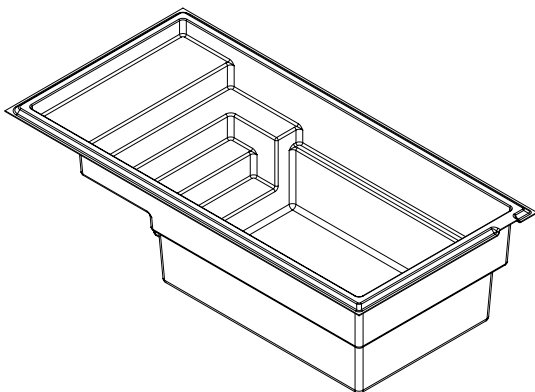
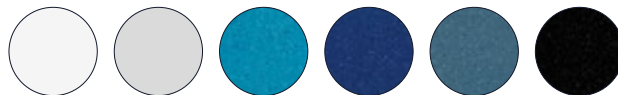
OPAL

8' x 16'

AQUA RING

COLLECTION

Available colors



OPAL MODEL

DIMENSIONS	8' x 16'
DEPTH	4' 9"
WEIGHT EMPTY POOL	1 020 lbs · 463 kg
INTERIOR VOLUME	344 ft ³ · 9.74 m ³
WATER VOLUME	9 741 L · 2 573 gal

